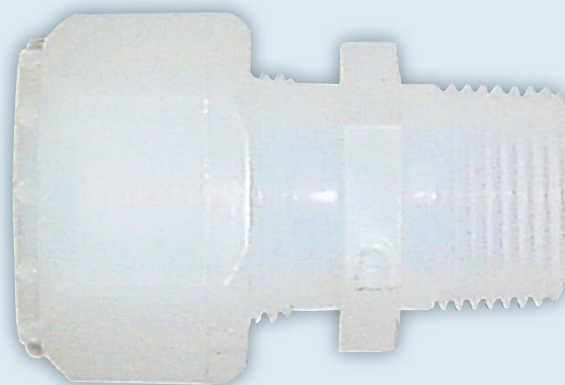


PILLAR FITTING™ Male Connector Through Fitting

PILLAR

Used to penetrate a tube through a tank or device



■ Features

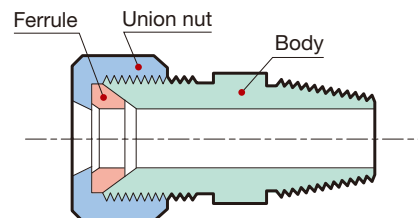
■ Excellent chemical resistance

All parts are made of PTFE or PFA, enabling this product to cope with various types of liquid chemicals.

■ Clean and high quality

Integrated production covering materials, molding, processing, assembly, and cleaning is implemented in our own factory cleanrooms compliant with ISO 9001 and ISO 14001.

■ Cross-sectional structural drawing



■ Applicable tube sizes

Unit: mm

mm-based tube			
O.D.×I.D.	Thickness	Tolerance	
		O.D.	Thickness
3×2	0.5	±0.10	±0.05
4×3	0.5		
6×4	1.0		
8×6	1.0	±0.12	±0.06
10×8	1.0		
12×10	1.0		
19×15.8	1.6	±0.20	±0.10
25×22	1.5		

Unit: mm

Inch-based tube			
O.D.×I.D.	Thickness	Tolerance	
		O.D.	Thickness
3.18×2.18 (1/8"×0.086")	0.5	±0.10	±0.05
6.35×3.95 (1/4"×5/32")	1.2		
9.53×6.33 (3/8"×1/4")	1.6		
12.7×9.5 (1/2"×3/8")	1.6	±0.12	±0.10
19×15.8 (3/4"×5/8")	1.6		
25.4×22.2 (1"×7/8")	1.6		
		±0.20	

NIPPON PILLAR PACKING CO., LTD.

PILLAR FITTING™ Male Connector Through Fitting

How to order

MCT		8	—	2	B	—	B
Male connector through fitting	Applicable tube size (Tube outside diameter: 8 mm)	Applicable pipe thread size (JIS tapered pipe thread R1/4)			Fitting material A=PTFE B=PFA		Union nut material B=PFA

Applicable pipe thread representation

Pipe thread type	JIS tapered pipe thread						American National Standard pipe thread					
	R1/8, Rc1/8	R1/4, Rc1/4	R3/8, Rc3/8	R1/2, Rc1/2	R3/4, Rc3/4	R1, Rc1	NPT1/8	NPT1/4	NPT3/8	NPT1/2	NPT3/4	NPT1
Representation	1	2	3	4	6	8	N1	N2	N3	N4	N6	N8

Applicable tube

This product is only applicable to PFA tubes. Other tubes, including quartz tubes, are not applicable. For quartz tubes, use a Quartz fitting.

Applicable tube representation

Tube type	Tube outside diameter													
	3 mm	4 mm	6 mm	8 mm	10 mm	12 mm	19 mm	25 mm	1/8" (3.18 mm)	1/4" (6.35 mm)	3/8" (9.53 mm)	1/2" (12.7 mm)	3/4" (19 mm)	1" (25.4 mm)
Representation	3	4	6	8	10	12	19	25	W1	W2	W3	W4	W6	W8

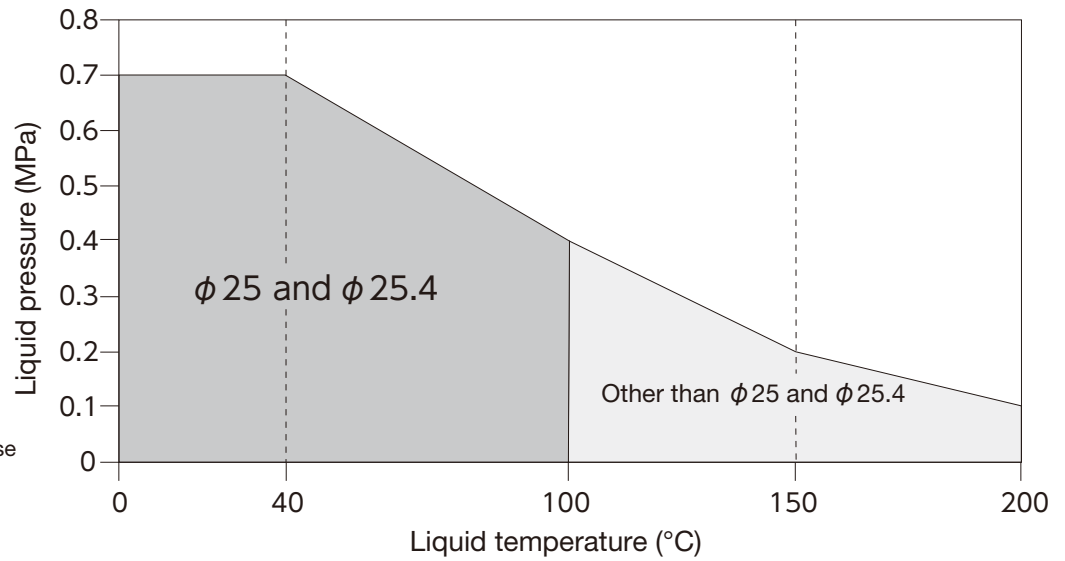
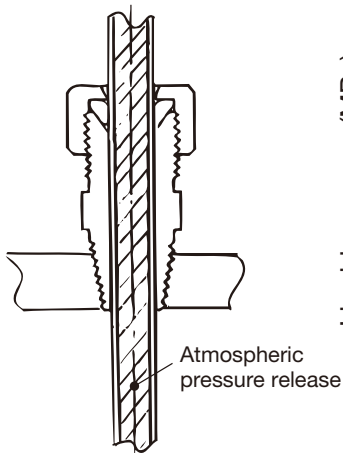
* Tube outside diameter: 19 mm = 3/4 inches (W6)

PILLAR FITTING™ Male Connector Through Fitting

Operating range

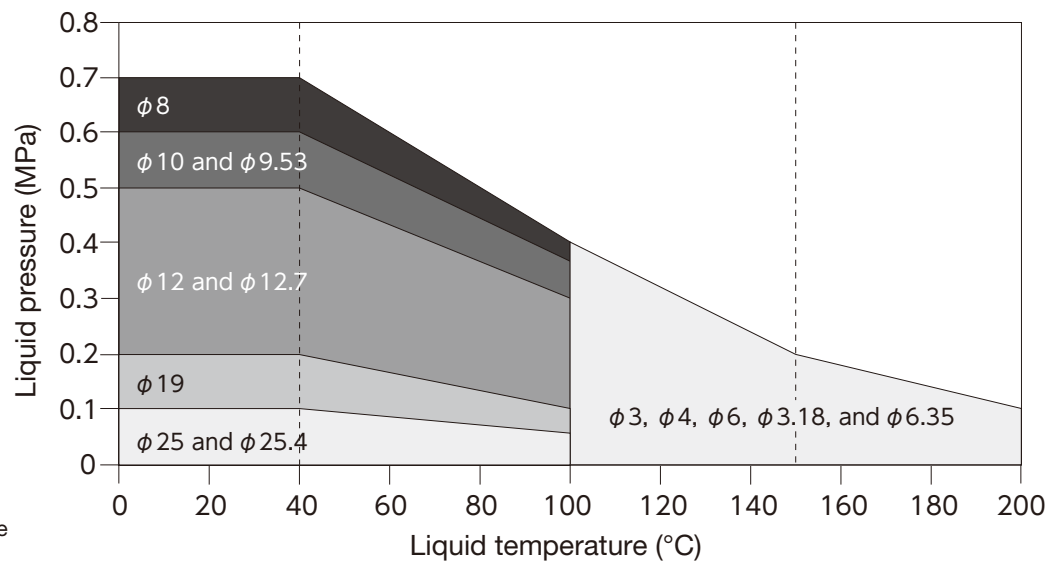
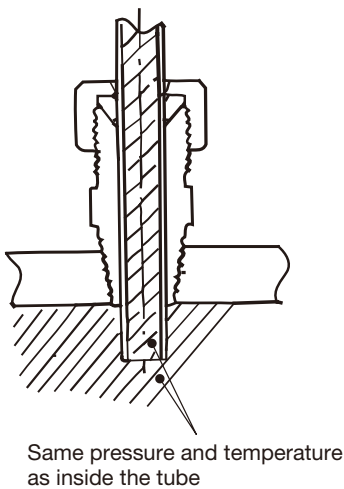
The operating range of male connector through fitting differs for each tube size according to the following two types of operating conditions. The tube sizes shown on the graphs are outside diameters.

1) Condition A



Specification of condition A

2) Condition B



Specification of condition B

Installation method

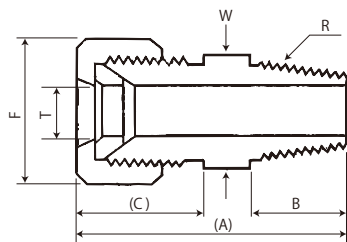
Refer to the latest edition of the Instruction Manual (No. 93-1).

Precautions

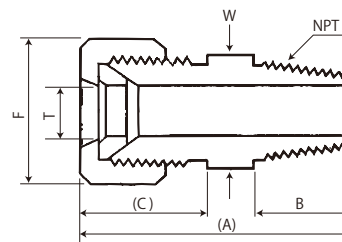
- 1) Perform piping work so that no pull-out force other than fluid pressure is applied to the tube.
- 2) Avoid using this product in such a way that the nut is submerged in the liquid.
- 3) For R and NPT threads, insert the tube first and then fasten the fitting.
(If the fitting is fastened first, it may become difficult to insert the tube.)

PILLAR FITTING™ Male Connector Through Fitting

R



NPT



Unit: mm

mm-based tube							
Product No.	T Tube outside diameter	R Pipe thread	(A)	B	(C)	F	W
MCT 3-1B-B	3	1/8	34.4	9	18.4	14	12
MCT 3-2B-B	3	1/4	38.4	13	18.4	14	12
MCT 4-1B-B	4	1/8	34.7	9	18.7	14	12
MCT 4-2B-B	4	1/4	38.7	13	18.7	14	12
MCT 6-1B-B	6	1/8	35.4	9	19.4	14	12
MCT 6-2B-B	6	1/4	39.4	13	19.4	14	12
MCT 6-3B-B	6	3/8	39.4	13	19.4	14	12
MCT 8-2B-B	8	1/4	42.5	13	22.5	17	14
MCT 8-3B-B	8	3/8	42.5	13	22.5	17	14
MCT 8-4B-B	8	1/2	46.5	17	22.5	17	14
MCT 10-3B-B	10	3/8	45.4	13	25.4	22	17
MCT 10-4B-B	10	1/2	49.4	17	25.4	22	17
MCT 12-4B-B	12	1/2	53.3	17	29.3	27	22
MCT 12-6B-B	12	3/4	55.3	19	29.3	27	22
MCT 19-6B-B	19	3/4	63.3	19	37.3	38	32
MCT 25-8B-B	25	1	79.8	22	42.8	50	41

Unit: mm

Inch-based tube							
Product No.	T Tube outside diameter	NPT Pipe thread	(A)	B	(C)	F	W
MCT W1-N1B-B	3.18 (1/8")	1/8	34.4	9	18.4	14	12
MCT W1-N2B-B	3.18 (1/8")	1/4	38.4	13	18.4	14	12
MCT W2-N1B-B	6.35 (1/4")	1/8	35.4	9	19.4	14	12
MCT W2-N2B-B	6.35 (1/4")	1/4	39.4	13	19.4	14	12
MCT W2-N3B-B	6.35 (1/4")	3/8	39.4	13	19.4	14	12
MCT W3-N3B-B	9.53 (3/8")	3/8	45.4	13	25.4	22	17
MCT W3-N4B-B	9.53 (3/8")	1/2	49.4	17	25.4	22	17
MCT W4-N4B-B	12.7 (1/2")	1/2	53.3	17	29.3	27	22
MCT W4-N6B-B	12.7 (1/2")	3/4	55.3	19	29.3	27	22
MCT W6-N6B-B	19 (3/4")	3/4	63.3	19	37.3	38	32
MCT W8-N8B-B	25.4 (1")	1	79.8	22	42.8	50	41

• We can also manufacture NPT threads for mm-based tube types and R threads for inch-based tube types. For details, please contact us.

PILLAR NIPPON PILLAR PACKING CO., LTD.

Head office/Sales Headquarters
7-1, Shinmachi 1-chome, Nishi-ku, Osaka 550-0013, Japan
Phone: +81-6-7166-8326 Fax: +81-6-7166-8514

Email : sales@pillar.co.jp

<https://www3.pillar.co.jp/en/product/>



**Safety
precaution**

● When using this product, please use correctly and pay sufficient attention to safety.

* Please understand that this catalog may change without prior notice.
* The values shown on this catalog are reference values, not guaranteed values.

PPLC2259-1/CAT.No.231016