

NON LOOSEN, NON LEAK, "PILAFLON® QUARTZ FITTING" ON MARKET!!



New type "PILAFLON® QUARTZ FITTING" improved, will not come off, withstand high temperature, clean, sealing performance and satisfy performance required for Semi-Conductor industries.

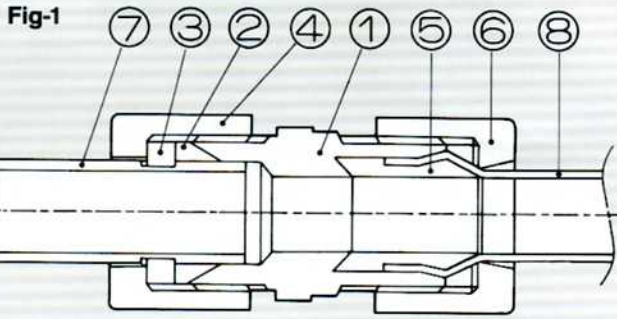
■ Design Feature

MAX OPERATING TEMP	200°C	MAX OPERATING PRESSURE	0.4MPa (4kgf/cm ²)
--------------------	-------	------------------------	--------------------------------

TEMPERATURE	°C	0 ~ 60	61 ~ 100	101 ~ 200
PRESSURE	MPa (kgf/cm ²)	0.4 (4)	0.2 (2)	0.1 (1)

Special feature

- **High safety**
For quartz tube side, the stopper is effective to prevent slip out and the ferrule keep high sealing. For PFA tube side, SUPER-FITTING offers high performance.
- **Excellent chemical resistance**
Can be used in fluids of almost any conceivable.
- **Clean**
Liquid pocket is very few, clean piping is available.



No.	PART	MATERIAL	No.	PART	MATERIAL
①	BODY	PTFE	⑤	SLEEVE	PFA
②	FERRULE	PTFE	⑥	UNION NUT	PFA
③	STOPPER RING	PFA	⑦	QUARTZ TUBE	QUARTZ
④	NUT	PFA	⑧	PFA TUBE	PFA

■ Assembling

• Insertion of quartz tube

Composed of PILLAR QUARTZ-FITTING, stopper ring, body, ferrule and nut as shown on Fig 1.

Installation method is

- (1) Run the quartz tube through the nut.
- (2) Put the stopper ring into the groove of quartz tube.
- (3) Insert the ferrule taking care of its correct direction.
- (4) Nut should be hand turned strongly and turned half turn by spanner. (Don't turn over)

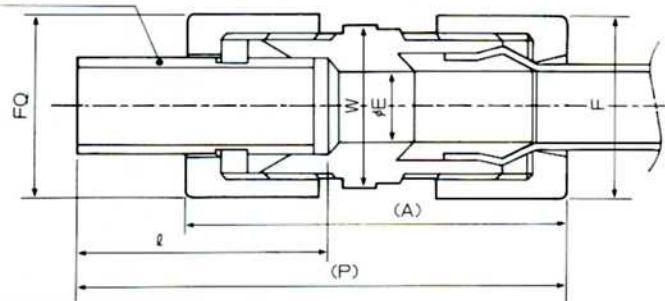
• Insertion of PFA tube

Composed of fitting, sleeve and union nut as shown on Fig 1.

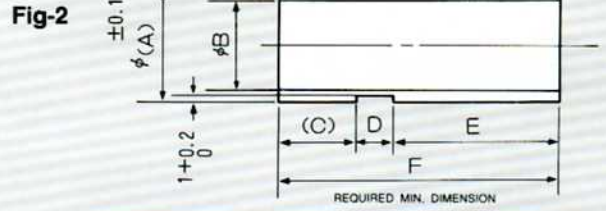
Installation method is

- (1) Run the tube through union nut.
- (2) Insert the sleeve to tube.
- (3) Nut should be hand turned strongly and turned one turn by spanner. (Don't turn over)

Fig-3 Q-RU



PART NO. Q-RU	QUARTZ		PFA TUBE O.D × I.D	(P)	ℓ	WIDTH OF SURFACE DISTANCE		(A)	W	φE
	O.D	I.D				FQ	F			
10-SW3A	10	6	9.53 × 6.33	71.4	33	22	22	56.6	19	8
12-SW4A	12	8	12.7 × 9.5	82.8	39	27	27	64.9	24	10
16-SW4A	16	12	12.7 × 9.5	90.0	45	32	27	69.0	28	10
20-SW6A	20	16	19 × 15.8	100.4	48	38	38	78.4	34	16
25-SW8A	25	20	25.4 × 22.2	125.3	66	50	50	97.3	44	24.6



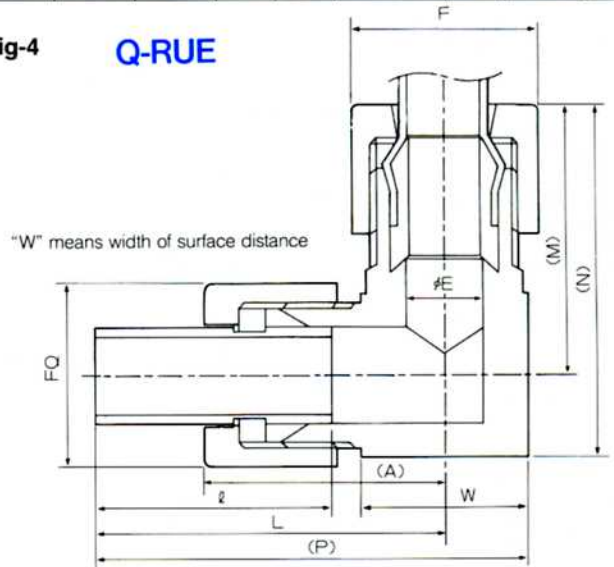
QUARTZ TUBE	±0.1 φA	φB	(C)	D	E	F
φ10 × φ6	10	6	9	4.5	19.5	33
φ12 × φ8	12	8	11	5	23	39
φ16 × φ12	16	12	13	6	26	45
φ20 × φ16	20	16	13.5	6.5	28	48
φ25 × φ20	25	20	23	8	35	66

■ How to order

Q	-	R	U	8	-	S	8	A
TYPE	SHAPE	O.D	SUPPER FITTING	TUBE SIZE	BODY MATERIAL A=PTFE B=PFA			

QUARTZ TUBE O.D × I.D	TOLERANCE	DIMENSION OF GROOVE			PFA TUBE O.D × I.D	THICK- NESS	TOLERANCE	
		DEPTH	WIDTH	LENGTH			O.D	WALL THICKNESS
10 × 6	±0.1	+0.2 0	4.5	33	9.53 × 6.33	1.6	±0.12	±0.10
12 × 8			5	39	12.7 × 9.5			
16 × 12			6	45	12.7 × 9.5			
20 × 16			6.5	48	19 × 15.8			
25 × 20			8	66	25.4 × 22.2			

Fig-4 Q-RUE



PART NO. Q-RUE	QUARTZ		PFA TUBE O.D × I.D	(P)	ℓ	WIDTH OF SURFACE DISTANCE		L	(M)	(N)	(A)	W	φE
	O.D	I.D				FQ	F						
10-SW3A	10	6	9.53 × 6.33	58.5	33	22	22	49	35.7	44.7	34.2	19	8
12-SW4A	12	8	12.7 × 9.5	69.8	39	27	27	57.8	42	54	39.9	24	10
16-SW4A	16	12	12.7 × 9.5	77.0	45	32	27	65.0	44	58	44.0	28	10
20-SW6A	20	16	19 × 15.8	87.9	48	38	38	70.9	55.4	71.4	48.9	34	16
25-SW8A	25	20	25.4 × 22.2	114.3	66	50	50	92.3	67	89	64.3	44	24.6

NIPPON PILLAR PACKING CO., LTD.

Head Office: 11-48, Nonakaminami 2 Chome, Yodogawa-ku, Osaka, 532-0022 Japan.
Tel : 81-(0)6-6305-2821 Fax : 81-(0)6-6302-3300

Tokyo Office: 2-2, Uchisaiwaicho 2 Chome, Chiyoda-ku, Tokyo, 100-0011 Japan.
Tel : 81-(0)3-3508-1611 Fax : 81-(0)3-3508-1881

Nippon Pillar Corporation of America: 1562, Parkway Loop, Suite2C, Tustin, CA 92780, USA.
Tel : 1-714-258-7741 Fax : 1-714-258-7760

Nippon Pillar Singapore Pte, Ltd: 10 Toh Guan Road #09-01 TT International TradePark Singapore 608838
Tel : (65)861-7138 Fax : (65)862-9098

Pillar Taiwan Semiconductor Work Shop: No.15 Lane 42, Ming-Yu 2 Street, Hsin-Chu, Taiwan, R.O.C.
Tel : 886-3-5785715 Fax : 886-3-5785716

Pillar Korea Semiconductor Work Shop: RM. 306, Youcheon Factopia 196, Anyang-Dong, Manan-Ku Anyang-Shi, Kyungki-Do, Korea.
Tel : 0343-467-2610 Fax : 0343-467-2612

Edwards Manufacturing Inc. (EMI) Service Shop: 2441 SE Stubb St. Milwaukie, Oregon 97222, USA.

*Specifications and dimensions are subject to change without prior notice.

*The data on this catalogue are solely for your reference and are not to be construed as constituting a warranty.



• Read through and follow the instructions on the manual before installation and operation for your safety.